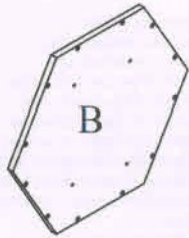
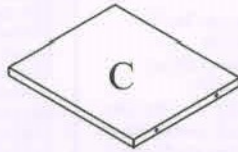


1pc






1pc

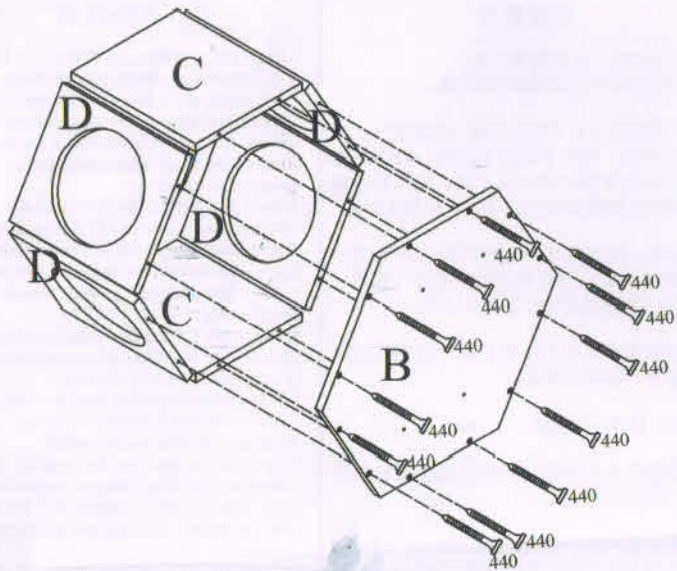
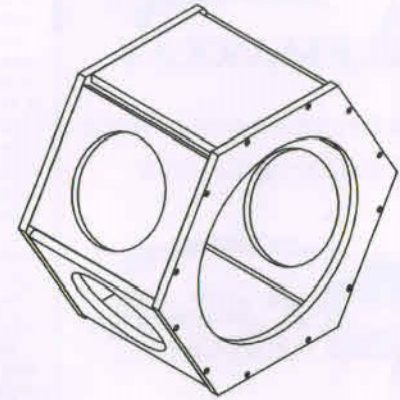


2pcs

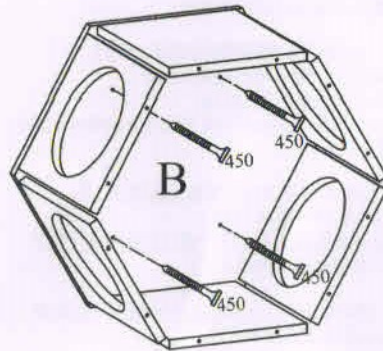


4pcs

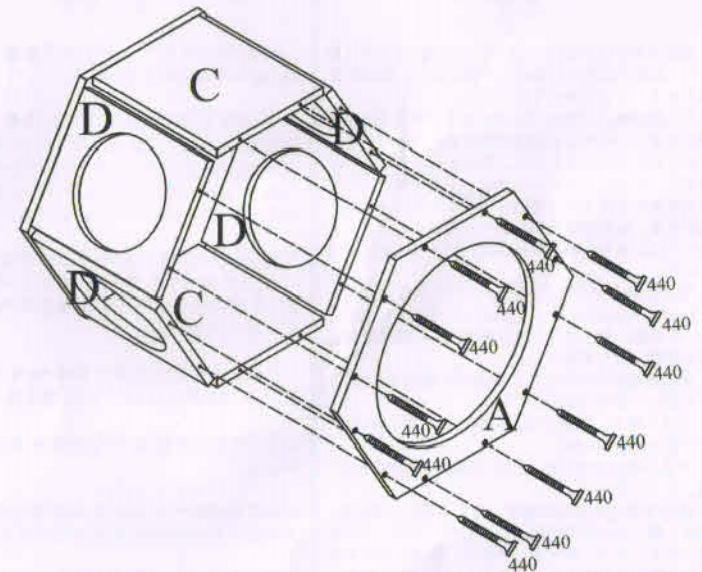
| Accessory | Size | Quantity |
|---|---|----------|
| 440  | • $\frac{1}{4}$ " \times 1 $\frac{3}{8}$ " • 4mm \times 40mm | 24pcs |
|  | — | 4pcs |
| 450  | • $\frac{1}{4}$ " \times 2" • 4mm \times 50mm | 4pcs |



step1



step2



step3